

QM & QM3 Side Mount Quartz Tube Heaters



QM — Single Unit

- INCOLOY® Sheath Elements Enclosed in Quartz Tube
- 25 W/In²
- 1 - 10 kW
- 120, 240 and 480 Volt, 1 or 3 Phase
- Moisture Resistant Terminal Enclosure

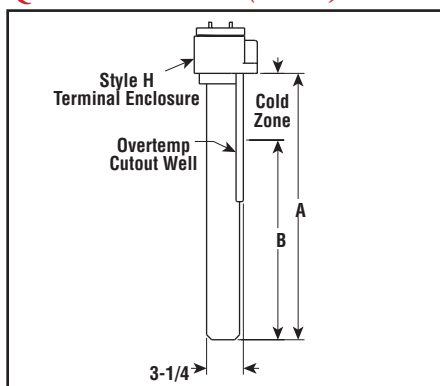
QM3 — Triple Units

- INCOLOY® Sheath Elements Enclosed in Quartz Tube
- 25 W/In²
- 3 - 30 kW
- 120, 240 and 480 Volt, 1 or 3 Phase
- Moisture Resistant Terminal Enclosure

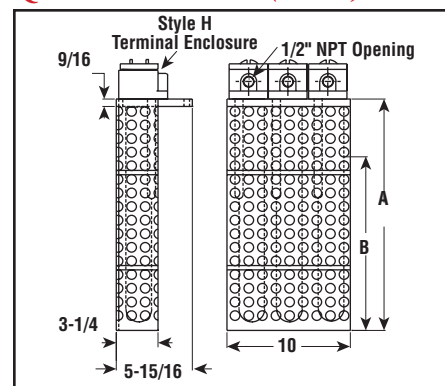
Features

- Moisture Resistant Terminal Enclosure
- Side Mounted Construction with Mounting Flange (Guard required for tank mounting)
- Single Use Overtemperature Protection Thermal Fuse Supplied as Standard, for Process Temperatures up to 180°F (82°C)/ Fuse Temperature 219°F (104°C) Limit. For Higher Process/Fuse Temperature Limits, Consult Factory. Field Replaceable
- Resettable Overtemperature Protection Thermal Fuses also Available
- Polypropylene Guard (order separately) (Only one guard required for all three heaters for QM3 only)
- 1 or 3 Phase field wired. Each heater supplied with conduit (QM3 only)
- Custom Heights and Other Configurations available

QM — Dimensions (Inches)



QM3 — Dimensions (Inches)



Specifications and Ordering Information

kW	Volts	W/In ²	Phase	DIM (In.)		Quartz			Wt. (Lbs.)	Guard PCN
				A	B	Model	Stock	PCN		
QM — Single Unit										
1	120	25	1	11	7	QM-11	S	054973	5	055132
1	240	25	1	11	7	QM-12	NS	054981	5	055132
2	240	25	1	17	12	QM-22	NS	054990	7	055140
2	480	25	1	17	12	QM-24	S	055001	7	055140
3	240	25	1	23	18	QM-32	NS	055010	9	055159
3	480	25	1	23	18	QM-34	NS	055028	9	055159
4	240	25	1	35	28	QM-42	S	055036	13	055167
4	480	25	1	35	28	QM-44	NS	055044	13	055167
5	240	25	1	41	33	QM-52	NS	055052	16	055175
5	480	25	1	41	33	QM-54	NS	055060	16	055175
6	240	25	1	47	39	QM-62	NS	055079	18	055183
6	480	25	1	47	39	QM-64	NS	055087	18	055183
8	240	25	1	59	49	QM-82	NS	055095	22	055191
8	480	25	1	59	49	QM-84	NS	055108	22	055191
10	240	25	1	71	62	QM-102	NS	055116	25	055204
10	480	25	1	71	62	QM-104	NS	055124	25	055204
QM3 — Three Units										
3	120	25	1	11	7	QM3-31	NS	055298	14	055458
3	240	25	1	11	7	QM3-32	NS	055300	14	055458
6	240	25	1	17	12	QM3-62	NS	055319	20	055466
6	480	25	1	17	12	QM3-64	NS	055327	20	055466
9	240	25	1	23	18	QM3-92	NS	055335	26	055474
9	480	25	1	23	18	QM3-94	NS	055343	26	055474
12	240	25	1	35	28	QM3-122	NS	055351	38	055482
12	480	25	1	35	28	QM3-124	NS	055360	38	055482
15	240	25	1	41	33	QM3-152	NS	055378	47	055490
15	480	25	1	41	33	QM3-154	NS	055386	47	055490
18	240	25	1	47	39	QM3-182	NS	055394	51	055503
18	480	25	1	47	39	QM3-184	NS	055407	51	055503
24	240	25	1	59	49	QM3-242	NS	055415	60	055511
24	480	25	1	59	49	QM3-244	NS	055423	60	055511
30	240	25	1	71	62	QM3-302	NS	055431	70	055520
30	480	25	1	71	62	QM3-304	NS	055440	70	055520

Stock Status: S = stock NS = non-stock

To Order — Specify model, PCN, kW, volts, phase and quantity.

Notes —

- A. Individual single phase heaters can be field wired for three phase.
- B. Guard (not shown), required for tank mounting. Order separately by PCN.
- C. Elements, quartz tube and guard shipped separately.

OVER-THE-SIDE